

## Features

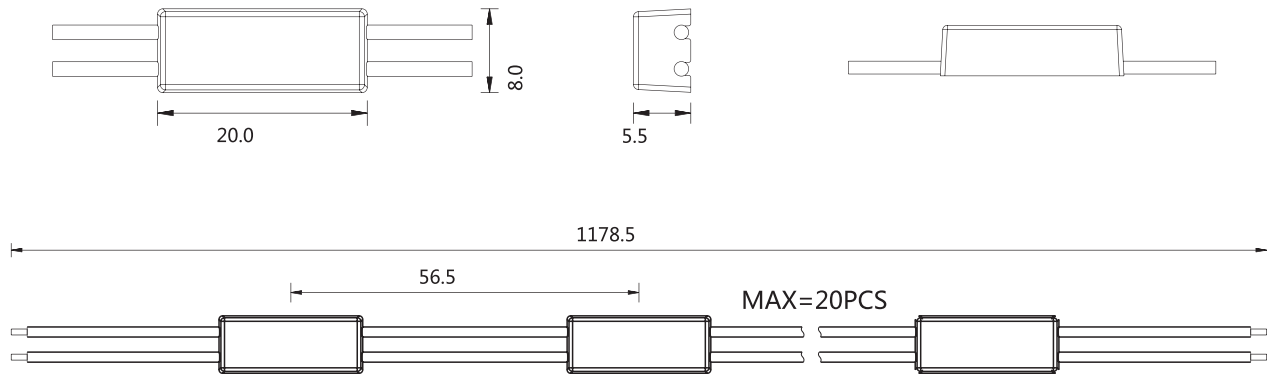
- Tiny 2835 LED, small and delicate in appearance
- Low voltage 12 VDC system
- Fully integrated glue filling process, IP68, excellent weather resistance
- Single module cuttable
- 5 years warranty (2 years all inclusive)

## Optical & Electrical Parameters

Model No.	Color Temperature(K)	Beam Angle	Typical Luminous Flux value(lm/pcs)	CRI	Efficacy (lm/W)	Voltage (V DC)	Power (W/pcs)
SS208	6000-7000	120°	34	80+	128	12	0.265

## Dimensions

Size in mm



## Wiring diagram

