

## Features

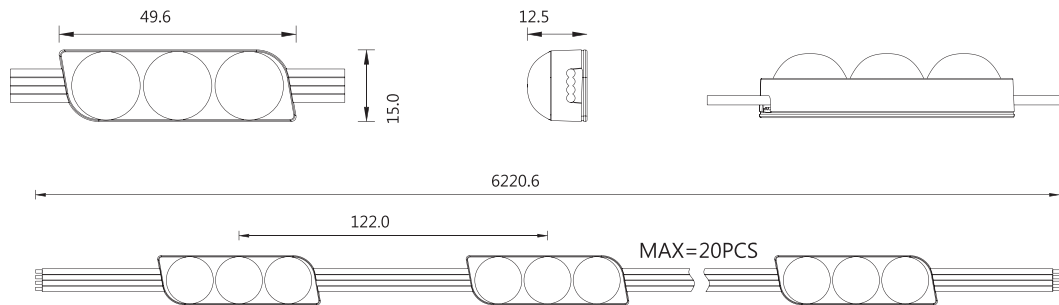
- Adopt integral optic lens
- Low voltage 12 VDC system
- Fully integrated glue filling process, IP68, excellent weather resistance
- Can be used with external controller, achieve full colour variations
- Single module cuttable
- 5 years warranty (2 years all inclusive)

## Optical & Electrical Parameters

Model No.	Light Color	Color Temperature/ Wavelength(K/nm)	Beam Angle	Luminous Flux (lm/pcs)	Ra	Efficacy (lm/W)	Voltage (V DC)	Power (W/pcs)
PS2	R	620-625	150°	4	/	19	12	0.24
	G	520-525		9		38		0.24
	B	465-470		2		9		0.24
	RGB	30000+		15		21		0.72

## Dimensions

Size in mm



## Wiring diagram

